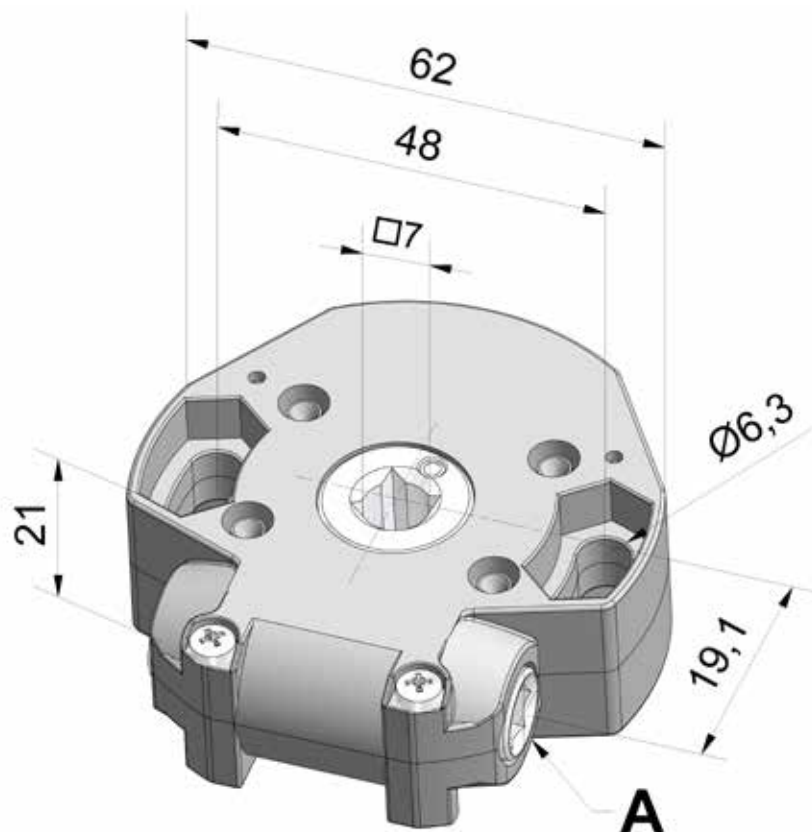


**CHERUBINI**  
tocco italiano dal 1947

**ACCESSORI PER TENDE DA SOLE  
KOMPONENTEN FÜR MARKISEN  
ACCESSORIES FOR AWNINGS  
COMPOSANTS POUR STORES  
ACCESORIOS PARA TOLDO**

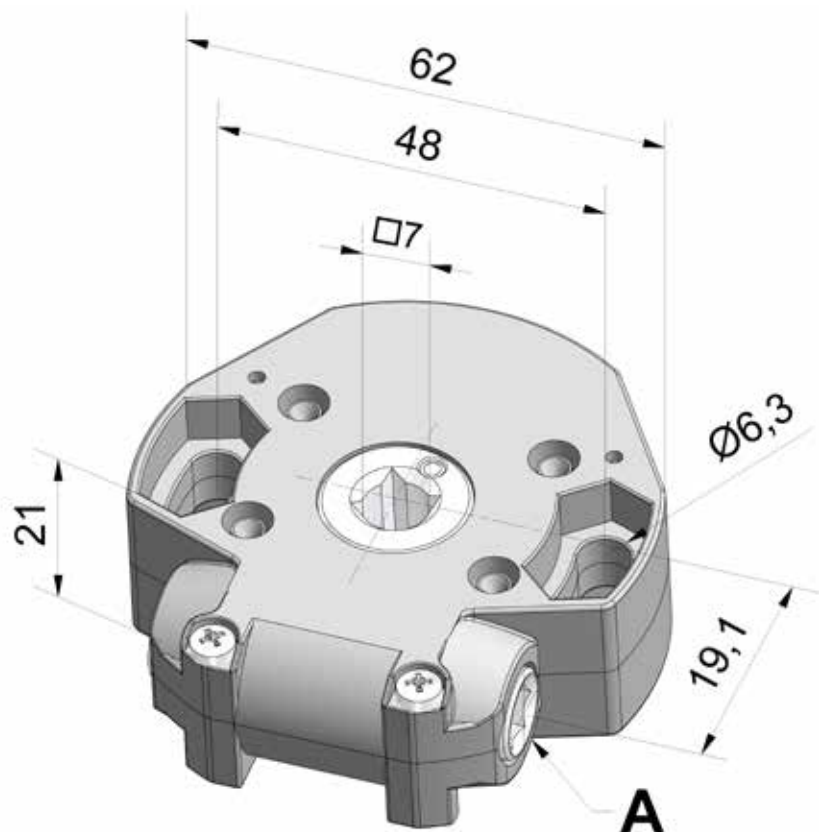


- Case in Zamak.
- Screw worm in aluminium.
- Crown in brass.
- Self-brake, through bearings.
- With or without stop, adjustable up to 19 cycles.
- One piece sintered steel stop.

 Efficiency: **0,32**

 Max. Operating torque:  
 (With charge of 10 Kg  
 on tube Ø 60) **2,6 Nm**

INPUT A	REFERENCE With stop	REFERENCE Without stop
□ 6	<b>7340.50.03.ACH00</b>	<b>7340.50.03.NCH00</b>
⬡ 6	<b>7340.60.03.ACH00</b>	<b>7340.60.03.NCH00</b>
⬡ 7	<b>7340.70.03.ACH00</b>	<b>7340.70.03.NCH00</b>



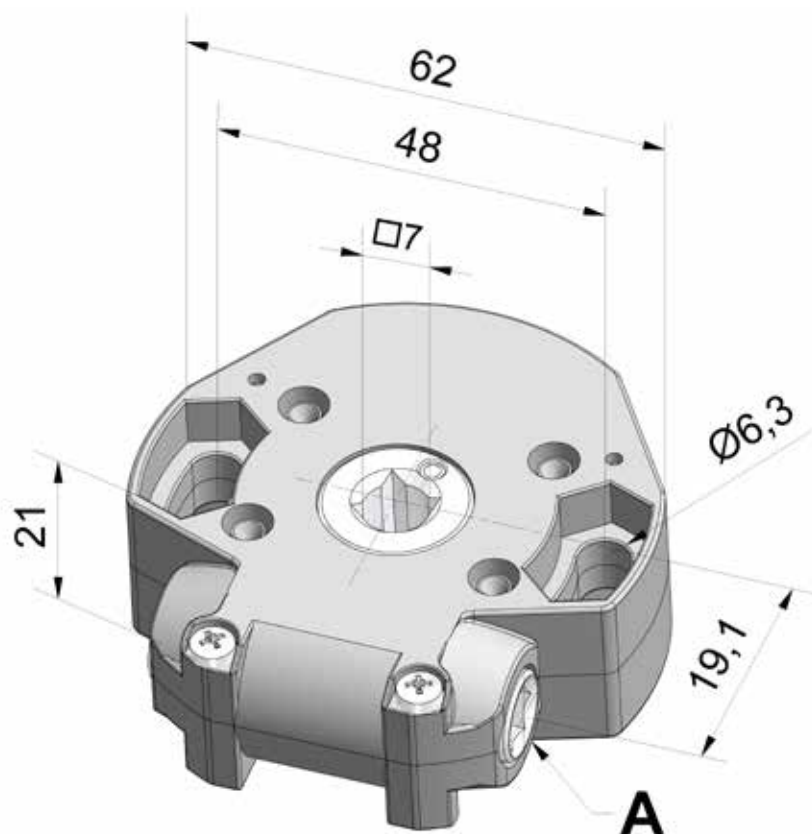
- Case in Zamak.
- Screw worm in aluminium.
- Crown in brass.
- Self-brake, through bearings.
- With or without stop, adjustable up to 19 cycles.
- One piece sintered steel stop.

 Efficiency: **0,32**

 Max. Operating torque:  
 (With charge of 9 Kg  
 on tube Ø 40 or with  
 charge of 7,5 Kg  
 on tube Ø 50)

**1,6 Nm**

<b>INPUT A</b>	<b>REFERENCE</b> With stop	<b>REFERENCE</b> Without stop
□ 6	<b>7343.50.03.ACH00</b>	<b>7343.50.03.NCH00</b>
◻ 7	<b>7343.70.03.ACH00</b>	<b>7343.70.03.NCH00</b>

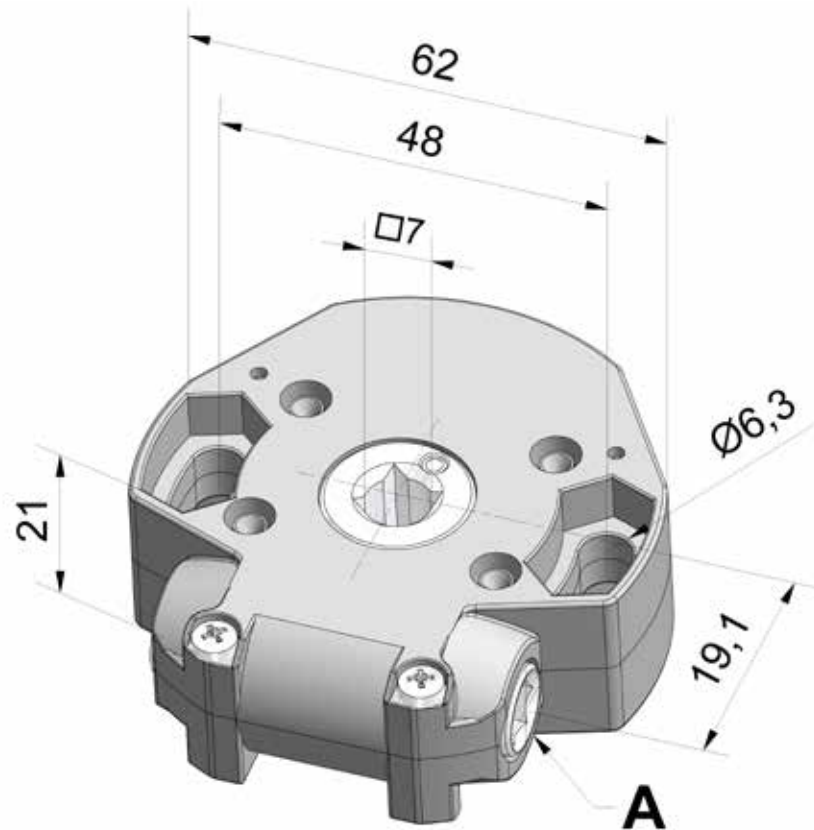


- Case in Zamak.
- Screw worm in aluminium.
- Crown in brass.
- Self-brake, through bearings.
- With or without stop, adjustable up to 19 cycles.
- One piece sintered steel stop.

 Efficiency: **0,30**

 Max. Operating torque:  
 (With charge of 17 Kg  
 on tube Ø 60) **3,0 Nm**

<b>INPUT A</b>	<b>REFERENCE</b> With stop	<b>REFERENCE</b> Without stop
□ 6	<b>7345.50.03.ACH00</b>	<b>7345.50.03.NCH00</b>
⬡ 6	<b>7345.60.03.ACH00</b>	<b>7345.60.03.NCH00</b>
⬡ 7	<b>7345.70.03.ACH00</b>	<b>7345.70.03.NCH00</b>



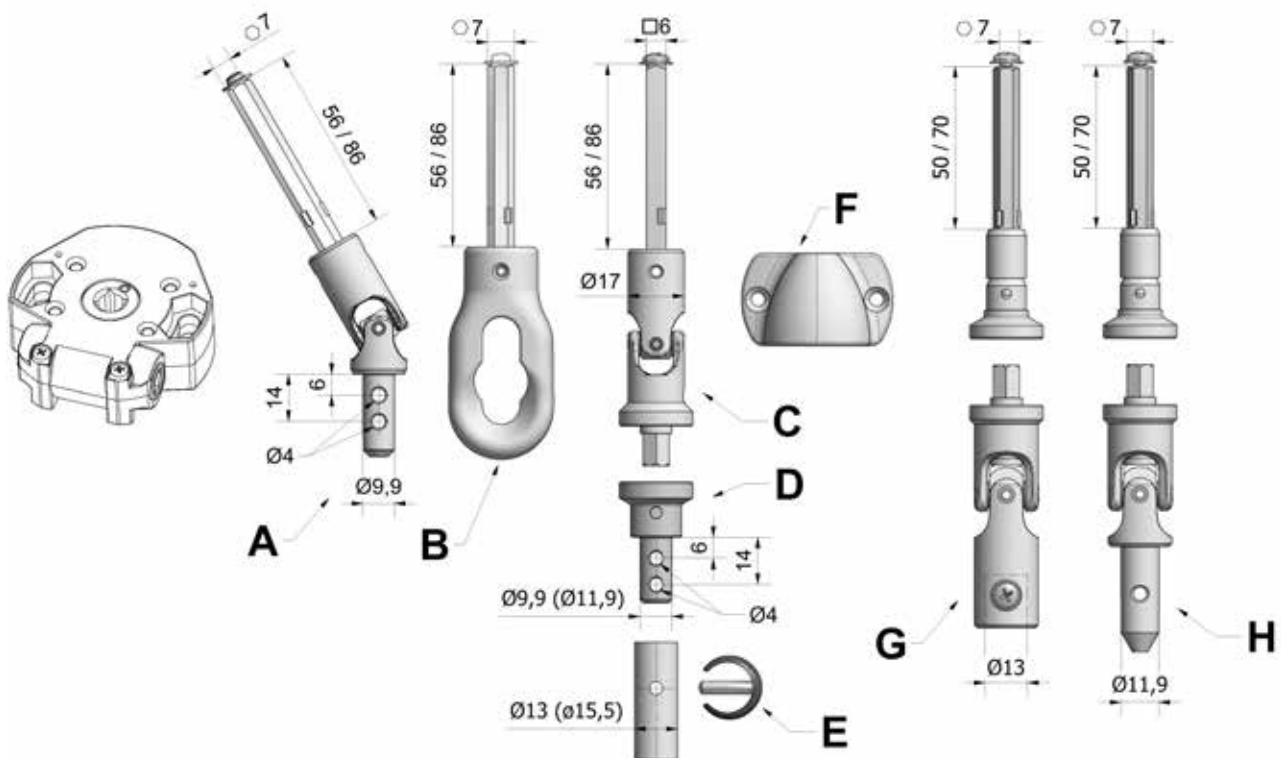
- Case in Zamak.
- Screw worm in aluminium.
- Crown in brass.
- Self-brake, through bearings.
- With or without stop, adjustable up to 19 cycles.
- One piece sintered steel stop.

Efficiency: **0,30**

Max. Operating torque:  
(With charge of 18 Kg  
on tube Ø 40 or with  
charge of 14,5 Kg  
on tube Ø 50)

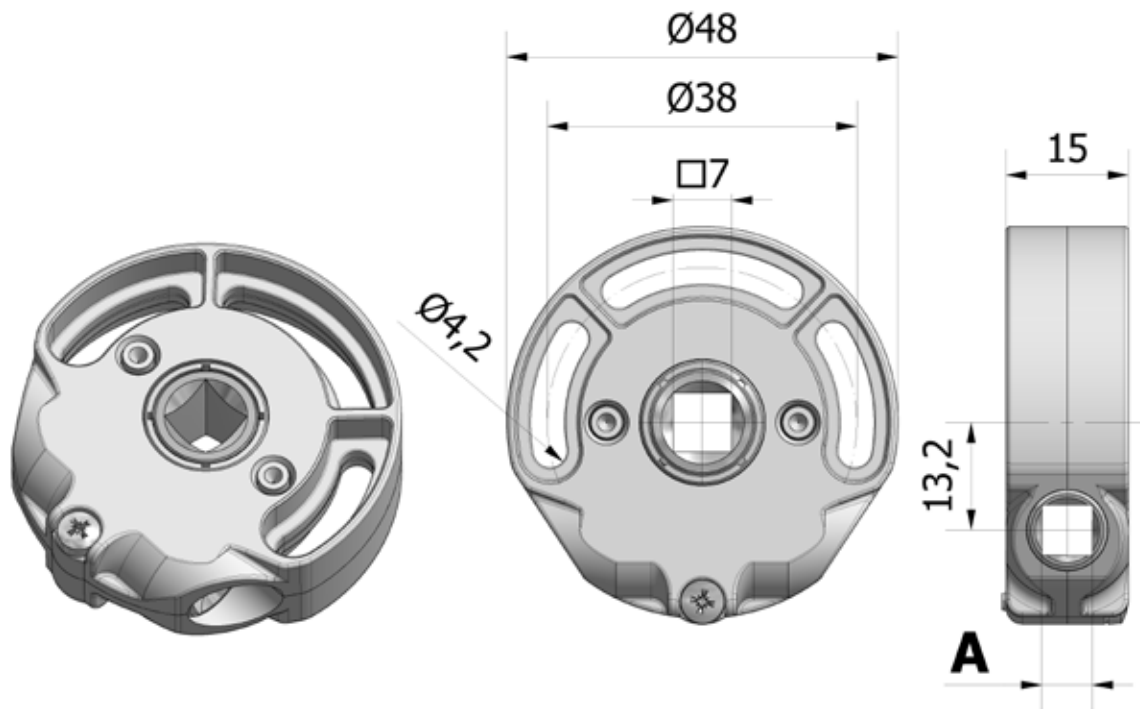
**2,2 Nm**

<b>INPUT A</b>	<b>REFERENCE</b> With stop	<b>REFERENCE</b> Without stop
□ 6	<b>7347.50.03.ACH00</b>	<b>7347.50.03.NCH00</b>
◻ 7	<b>7347.70.03.ACH00</b>	<b>7347.70.03.NCH00</b>



- A** Joint in zamak - nickel plated - rod  $\square$  7x56 mm  
**A** Joint in zamak - nickel plated - rod  $\square$  7x86 mm  
**B** Eyelet in nylon - rod  $\square$  7x56 mm  
**B** Eyelet in nylon - rod  $\square$  7x86 mm  
**C** Magnetic joint - hex connector - rod  $\square$  6x86 mm  
**D** Magnetic tube adapter connector M $\varnothing$  9,9 mm - for tube  $\varnothing$  13 mm  
**D** Magnetic tube adapter connector M $\varnothing$  11,9 mm - for tube  $\varnothing$  15,5 mm  
**E** Fixing clip for tube  $\varnothing$  13 mm  
**E** Fixing clip for tube  $\varnothing$  15,5 mm  
**F** Magnetic crank holder  
**G** Magnetic joint - connector F $\varnothing$  13 mm - rod  $\square$  7x50 mm  
**G** Magnetic joint - connector F $\varnothing$  13 mm - rod  $\square$  7x70 mm  
**H** Magnetic joint - connector M $\varnothing$  11,9 mm - rod  $\square$  7x50 mm  
**H** Magnetic joint - connector M $\varnothing$  11,9 mm - rod  $\square$  7x70 mm

**7906.7005.CHNK**  
**7906.7008.CHNK**  
**6010.7005.CH**  
**6010.7008.CH**  
**7918.5008.CACH**  
**7844.10.CA**  
**7844.12.CA**  
**7595**  
**7596**  
**8027**  
**8041.7005.V13**  
**8041.7007.V13**  
**8041.7005.M12**  
**8041.7007.M12**



- Case in Zamak.
- Screw worm in brass.
- Crown in Zamak.
- Self-brake, through bearings.
- Without stop.

 Efficiency: **0,30**

 Max. Operating torque:  
 (With charge of 8 Kg  
 on tube Ø 40) **1,5 Nm**
**INPUT A**
**REFERENCE**

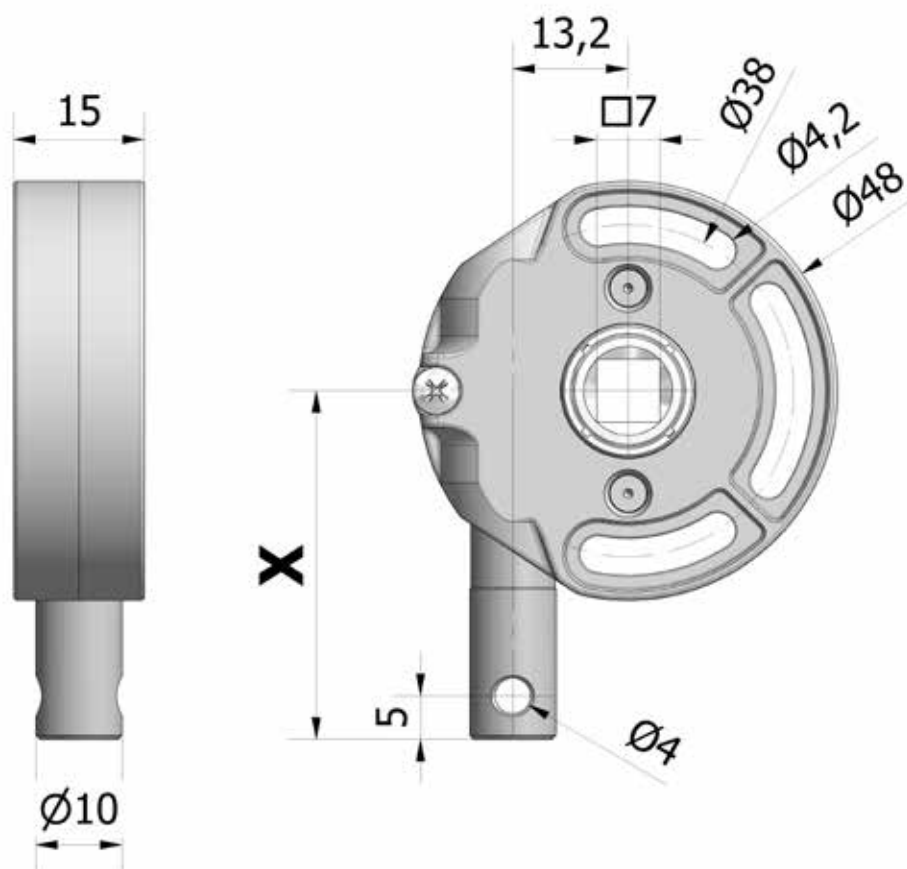
□ 6

**9001.50.00**

⬡ 6

**9001.60.00**

(See 9001 accessories sheet)



- Case in Zamak.
- Screw worm in brass.
- Crown in Zamak.
- Self-brake, through bearings.
- Without stop.

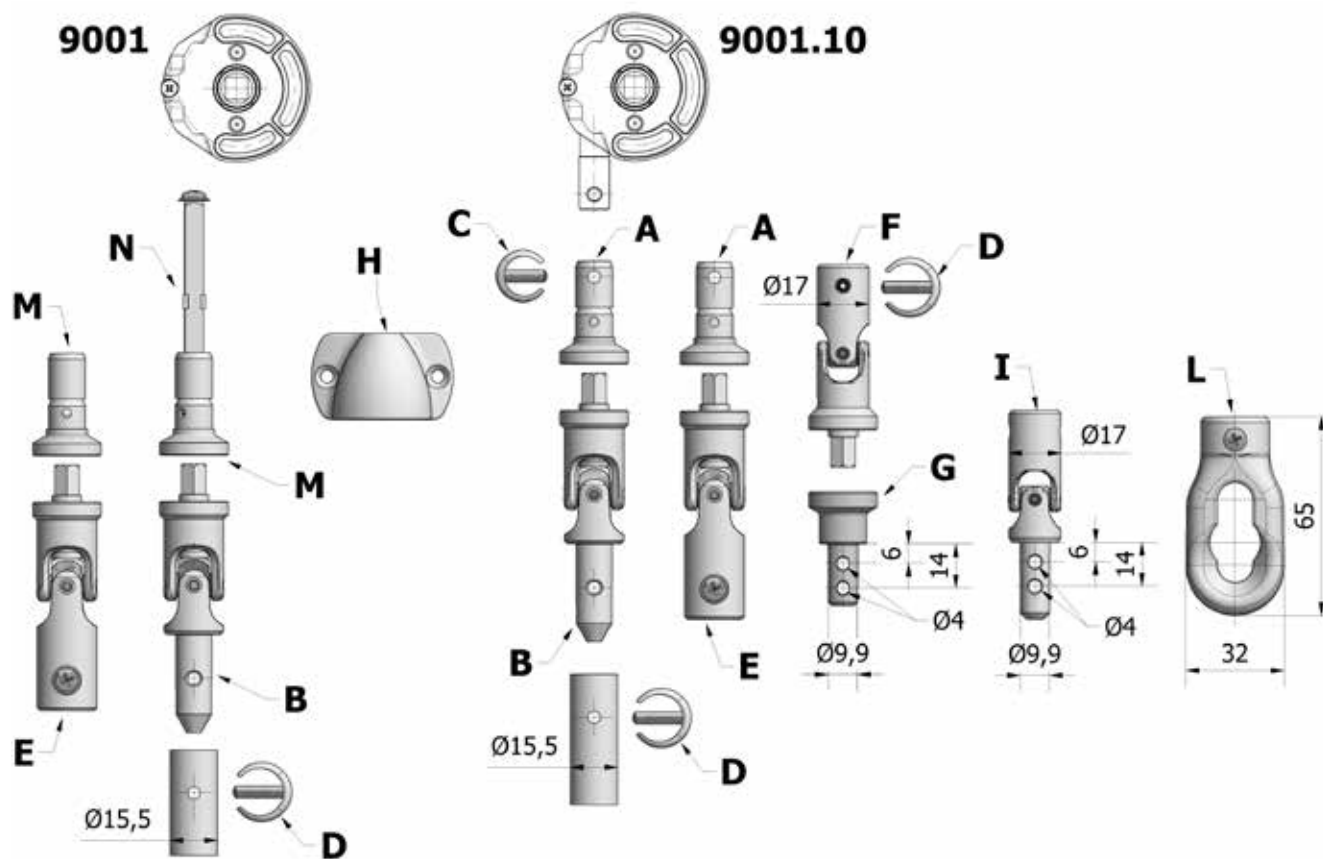
 Efficiency: **0,30**

 Max. Operating torque:  
 (With charge of 8 Kg  
 on tube Ø 40) **1,5 Nm**

<b>X</b>	<b>REFERENCE</b>
40	<b>9001.10.40</b>
45	<b>9001.10.45</b>
50	<b>9001.10.50</b>
55	<b>9001.10.55</b>
65	<b>9001.10.65</b>

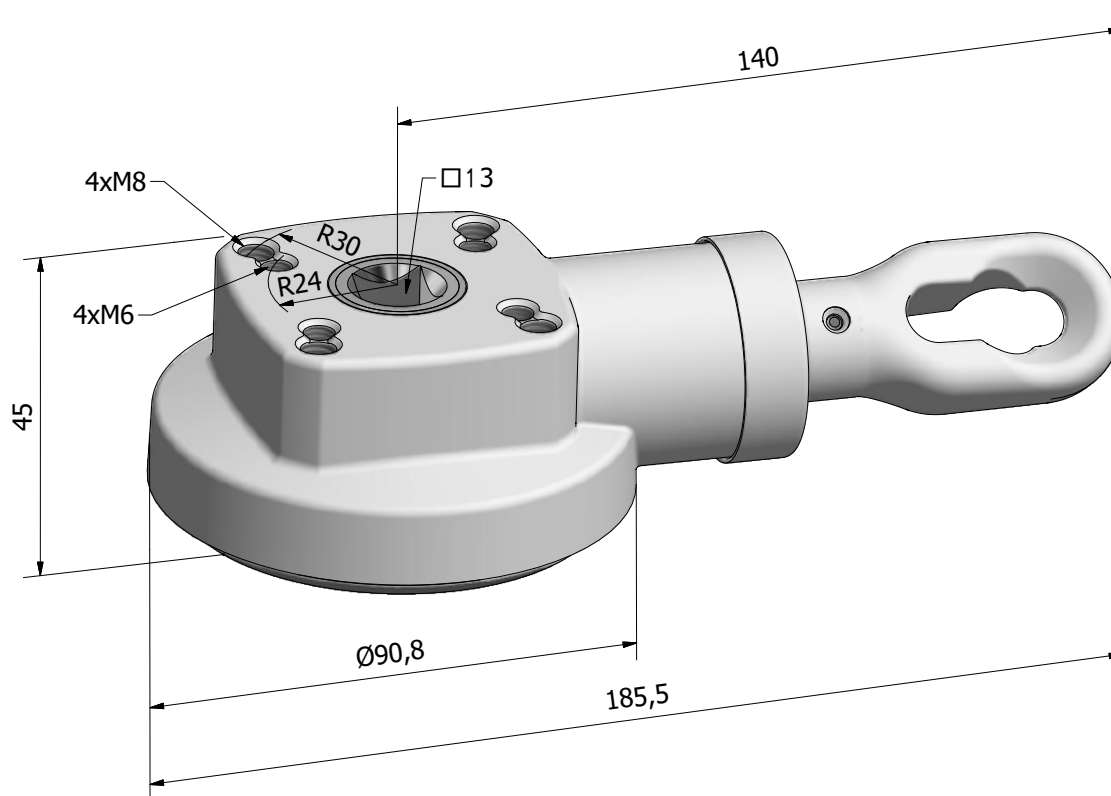
(See 9001.10 accessories sheet)





- A** Magnetic adapter connector  $F\varnothing$  10 mm  
**B** Magnetic universal connector  $M\varnothing$  11,9 mm  
**C** Fixing clip for tube  $\varnothing$  13 mm  
**D** Fixing clip for tube  $\varnothing$  15,5 mm  
**E** Magnetic universal connector  $F\varnothing$  13 mm  
**F** Magnetic universal joint - connector  $F\varnothing$  10 mm  
**G** Magnetic tube adapter connector  $M\varnothing$  9,9 mm - for tube  $\varnothing$  13 mm  
**H** Magnetic crank holder  
**I** Universal joint - connector  $F\varnothing$  10 with hole  $M\varnothing$  9,9  
**L** Eyelet in nylon RAL 7035 - hole  $\varnothing$  10 mm  
**M** Magnetic adapter connector  $\square$  6 mm  
**N** Rod  $\square$  6x74 mm - screw M4

- 1498.10**  
**8056.M12**  
**7595**  
**7596**  
**8056.V13**  
**7917.CA.CH**  
**7844.10.CA**  
**8027**  
**7902.ZN.CH**  
**1120605**  
**1498.50**  
**6018.50.05**

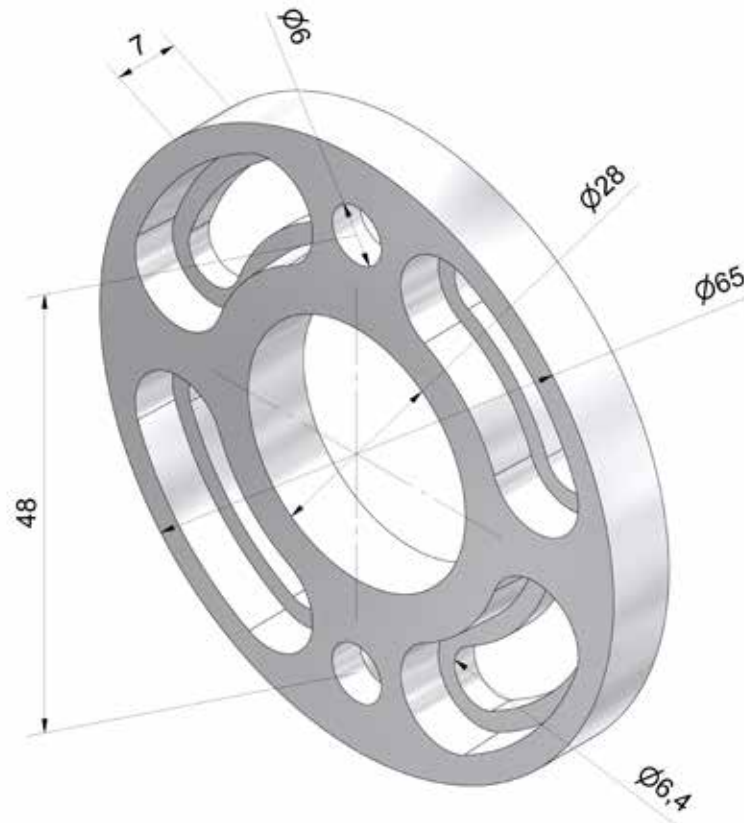


- Case  $\varnothing 90$  in Zamak.
- Zamak helical bevel gears.
- Steel spring brake.
- Eyelet in Nylon.
- With or without stop 17 cycles.

Efficiency: **0,59**

Max. Operating torque:  
(Weight 25 Kg on  $\varnothing 70$ ) **2,8 Nm**

STOP	OUTPUT	REFERENCE
17 cycles	$\square 13$ mm	<b>9008.A.S07.13</b>
NO	$\square 13$ mm	<b>9008.N.S07.13</b>



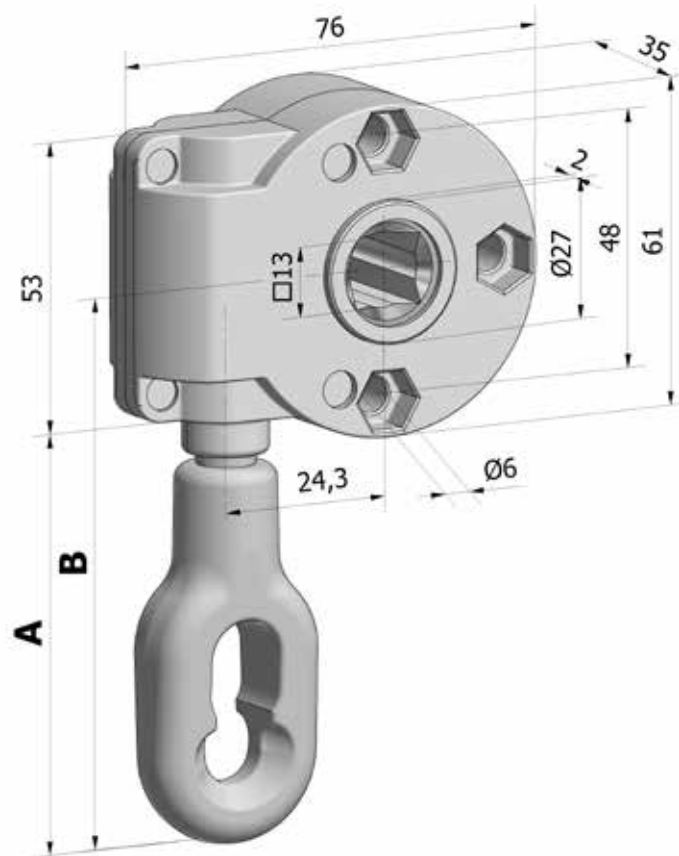
- Flange in powder coated Zamak.
- Allows winch rotation of 90°.
- Fits to the winches 9010 and 9035.

**REFERENCE**

---

**9014**

---

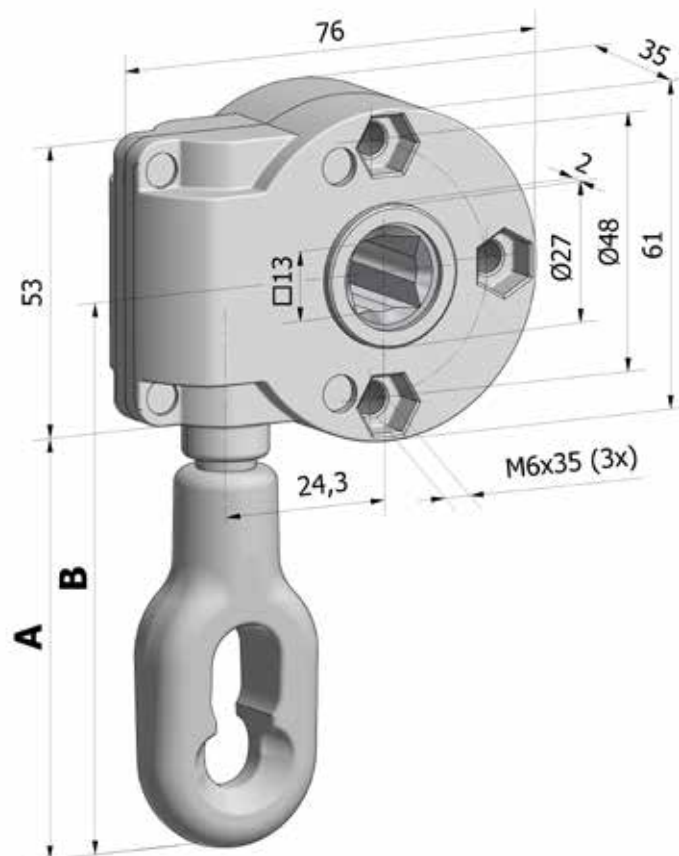


- Case in Zamak.
- Screw worm in Duraluminium.
- Eyelet in Nylon.
- Floating on POM bearings.
- Without stop.

Efficiency: **0,30**

Max. Operating torque:  
 (20 Kg weight on Ø 70) **3,5 Nm**

<b>CASING COLLAR</b>	<b>A</b>	<b>B</b>	<b>REFERENCE</b> Crown in brass	<b>REFERENCE</b> Crown in Zamak
NO	80	107	<b>9021.P08</b>	<b>9047.P08</b>
Ø 27	80	107	<b>9021.BP08</b>	<b>9047.BP08</b>
NO	120	147	<b>9021.P12</b>	<b>9047.P12</b>
Ø 27	120	147	<b>9021.BP12</b>	<b>9047.BP12</b>



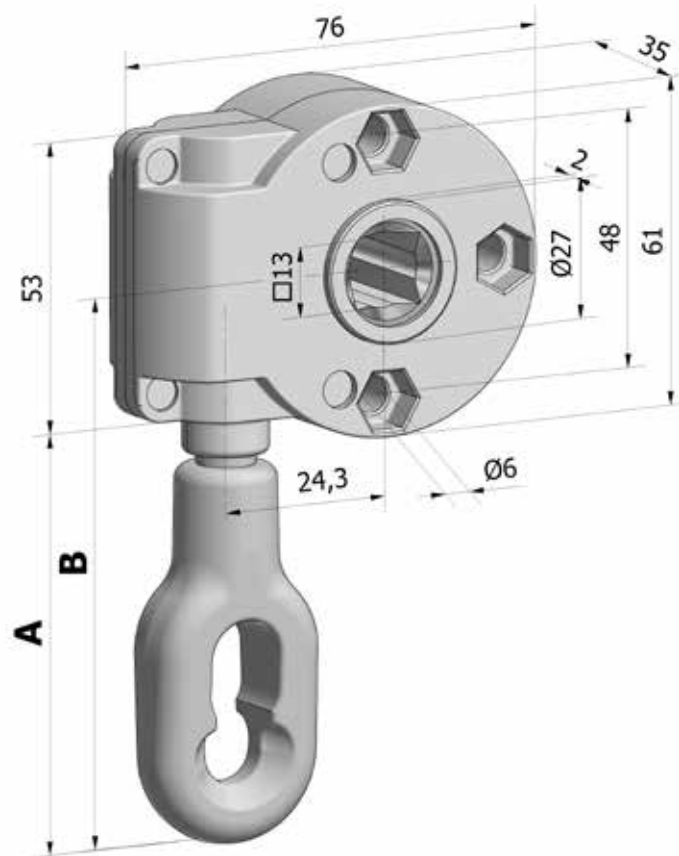
- Case in Zamak.
- Screw worm in Duraluminium.
- Eyelet in Nylon.
- Floating on POM bearings.
- Without stop.

Efficiency: **0,30**

Max. Operating torque:  
(20 Kg weight on Ø 70) **3,5 Nm**

CASING COLLAR	A	B	REFERENCE Crown in Zamak
NO	80	107	<b>9047.P08.CH.XX.F</b>
Ø 27	80	107	<b>9047.BP08.CH.XX.F</b>
NO	120	147	<b>9047.P12.CH.XX.F</b>
Ø 27	120	147	<b>9047.BP12.CH.XX.F</b>

XX = COLOR CODE

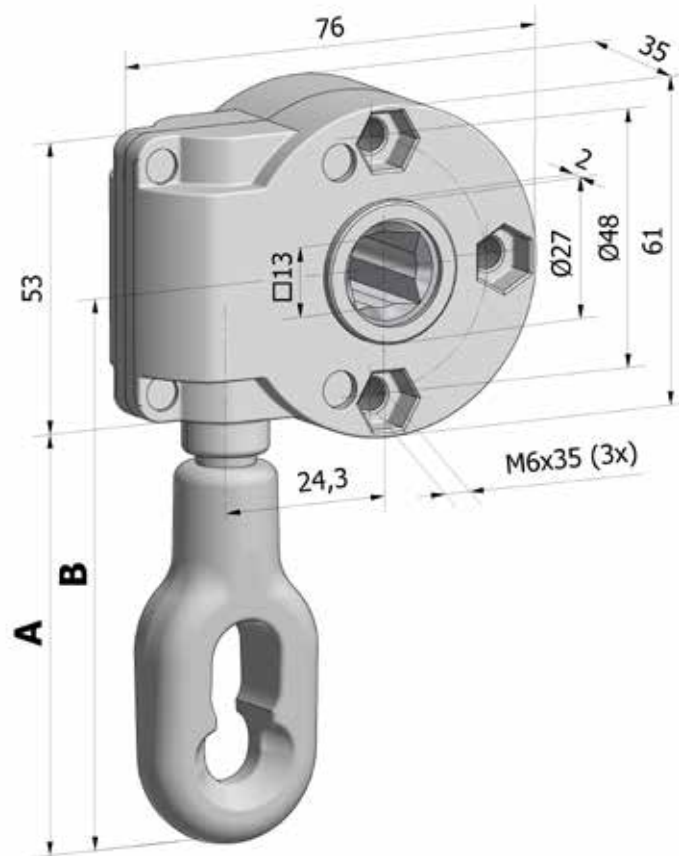


- Case in Zamak.
- Screw worm in Duraluminium.
- Eyelet in Nylon.
- Floating on POM bearings.
- Without stop.

Efficiency: **0,30**

Max. Operating torque:  
 (Weight 32 Kg on Ø 70) **3,5 Nm**

<b>CASING COLLAR</b>	<b>A</b>	<b>B</b>	<b>REFERENCE</b> Crown in brass	<b>REFERENCE</b> Crown in Zamak
NO	80	107	<b>9025.P08</b>	<b>9051.P08</b>
Ø 27	80	107	<b>9025.BP08</b>	<b>9051.BP08</b>
NO	120	147	<b>9025.P12</b>	<b>9051.P12</b>
Ø 27	120	147	<b>9025.BP12</b>	<b>9051.BP12</b>



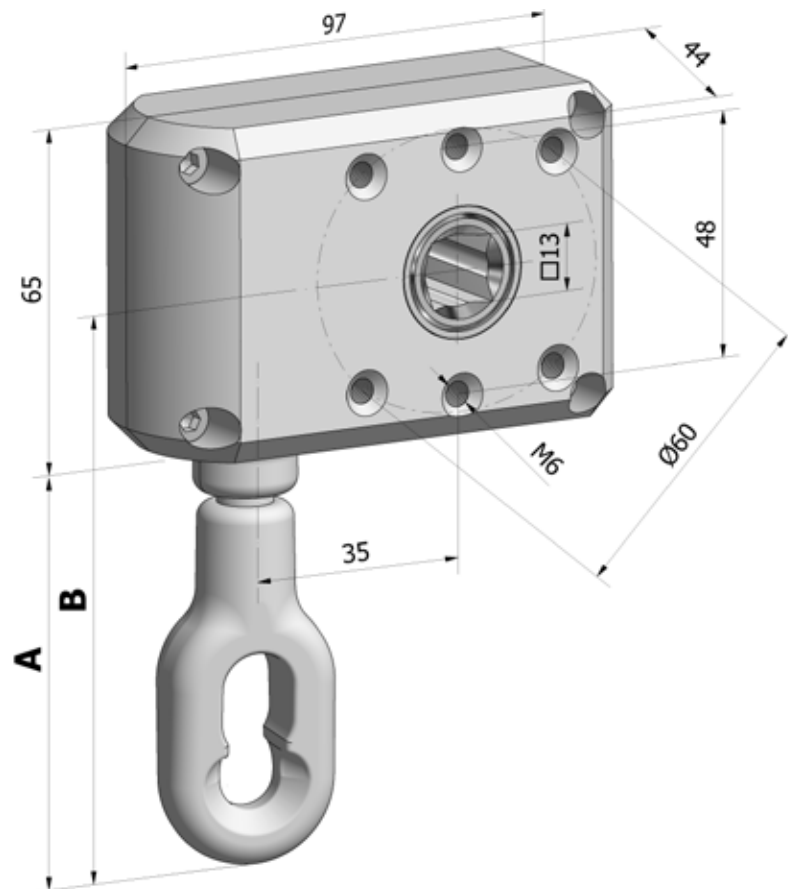
- Case in Zamak.
- Screw worm in Duraluminium.
- Eyelet in Nylon.
- Floating on POM bearings.
- Without stop.

Efficiency: **0,30**

Max. Operating torque:  
(Weight 32 Kg on Ø 70) **3,5 Nm**

<b>CASING COLLAR</b>	<b>A</b>	<b>B</b>	<b>REFERENCE</b> Crown in Zamak
NO	80	107	<b>9051.P08.CH.XX.F</b>
Ø 27	80	107	<b>9051.BP08.CH.XX.F</b>
NO	120	147	<b>9051.P12.CH.XX.F</b>
Ø 27	120	147	<b>9051.BP12.CH.XX.F</b>

XX = COLOR CODE



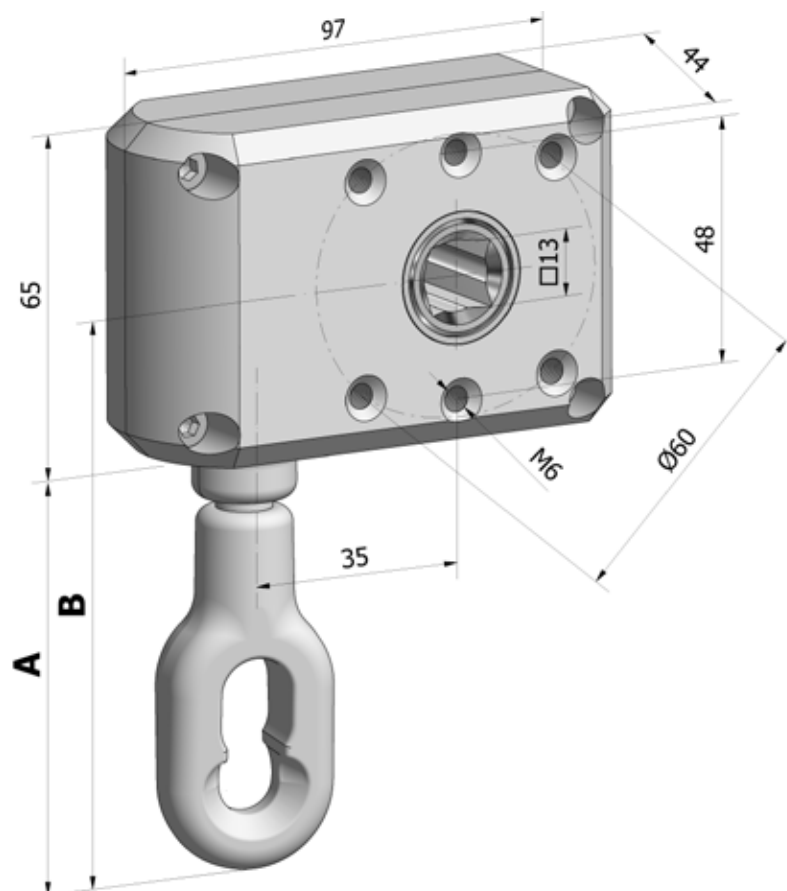
- Case in Zamak.
- Screw worm in Duraluminium.
- Crown in brass.
- Eyelet in Nylon.
- Floating on POM bearings.
- Without stop.

 Efficiency: **0,28**

 Max. Operating torque:  
 (Weight 36 Kg on Ø 70) **3,5 Nm**

CASING COLLAR	A	B	REFERENCE
NO	80	115	<b>9028.P08</b>
NO	120	155	<b>9028.P12</b>



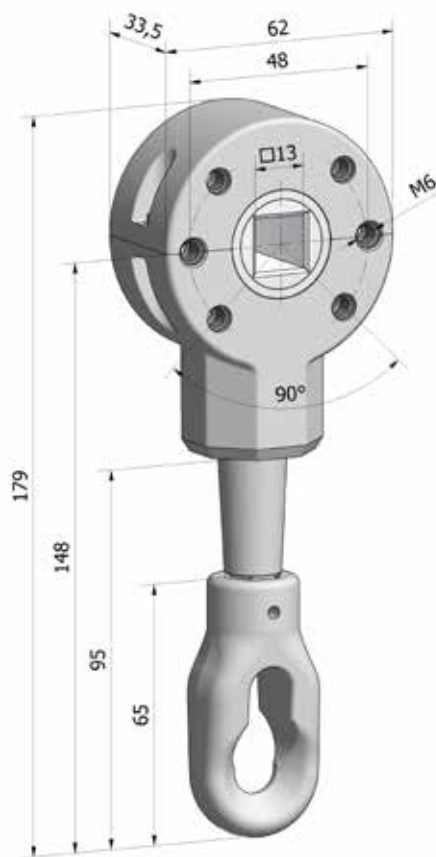


- Case in Zamak.
- Screw worm in Duraluminium.
- Crown in brass.
- Eyelet in Nylon.
- Floating on POM bearings.
- Without stop.

 Efficiency: **0,30**

 Max. Operating torque:  
 (Weight 42 Kg on Ø 70) **3,5 Nm**

CASING COLLAR	A	B	REFERENCE
NO	80	115	<b>9030.P08</b>
NO	120	155	<b>9030.P12</b>



- Case in Zamak.
- Bevel gear in Zamak - Gleason in Zamak.
- Steel spring brake.
- Eyelet in Nylon.
- Without stop.

 Efficiency: **0,60**

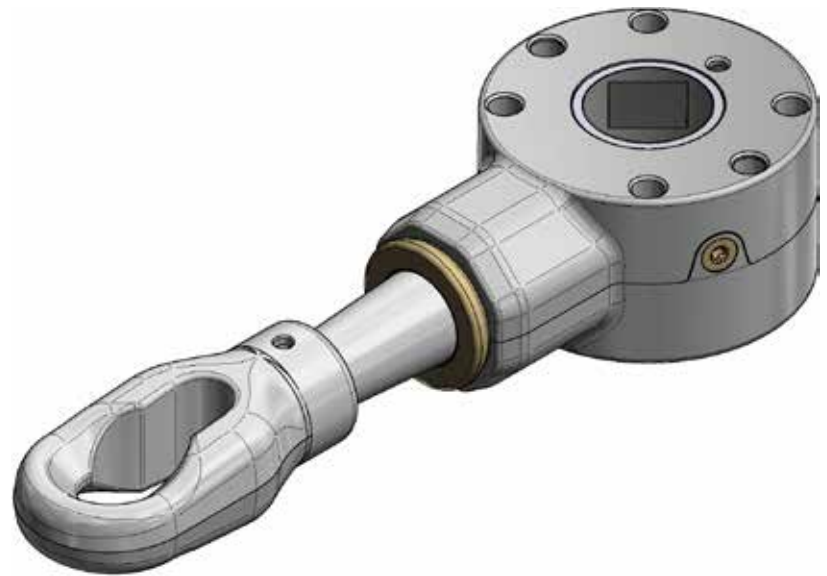
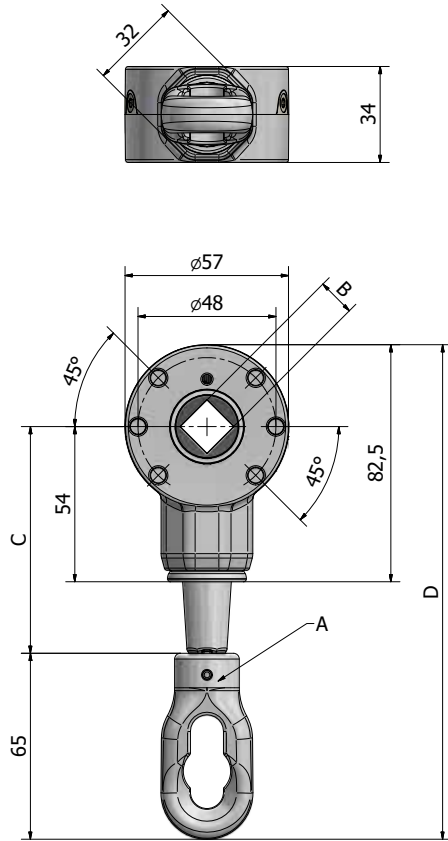
 Max. Operating torque:  
 (20 Kg weight on Ø 70) **3,6 Nm**

## REFERENCE

---

**9035.S10**


---

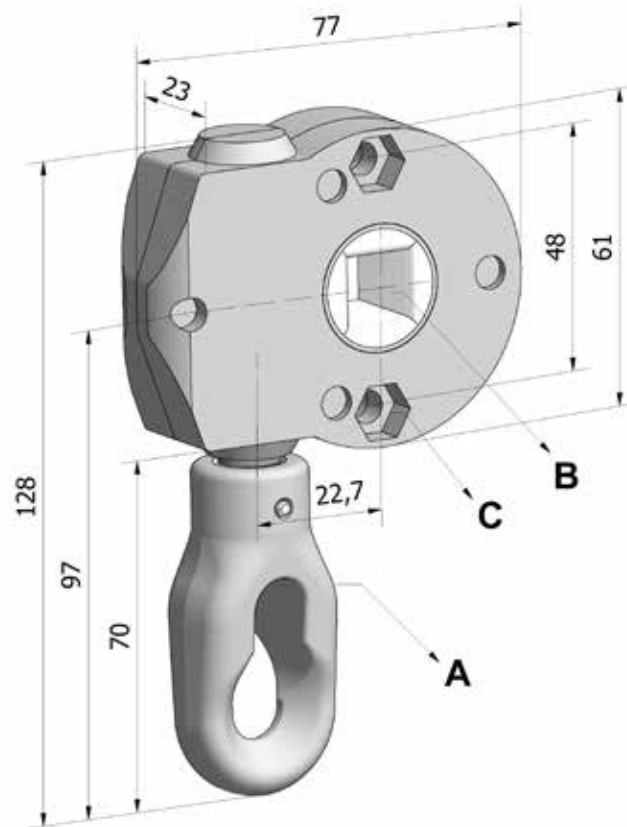


- Case in Zamak.
- Bevel gear in Zamak.
- Steel spring brake.
- Floating on Nylon bearings.
- N°6 holes for fixing the gearbox with thread forming screws M6 DIN 7500, holes on pitch circle diameter 48 mm with angles 45°.

Efficiency: **0,60**

Max. output torque: **8 Nm**

INPUT A	OUTPUT B	C	D	REFERENCE
Eyelet	□ 13	79	172	<b>9036.S10</b>
Eyelet	□ 13	55	148	<b>9036.S07</b>



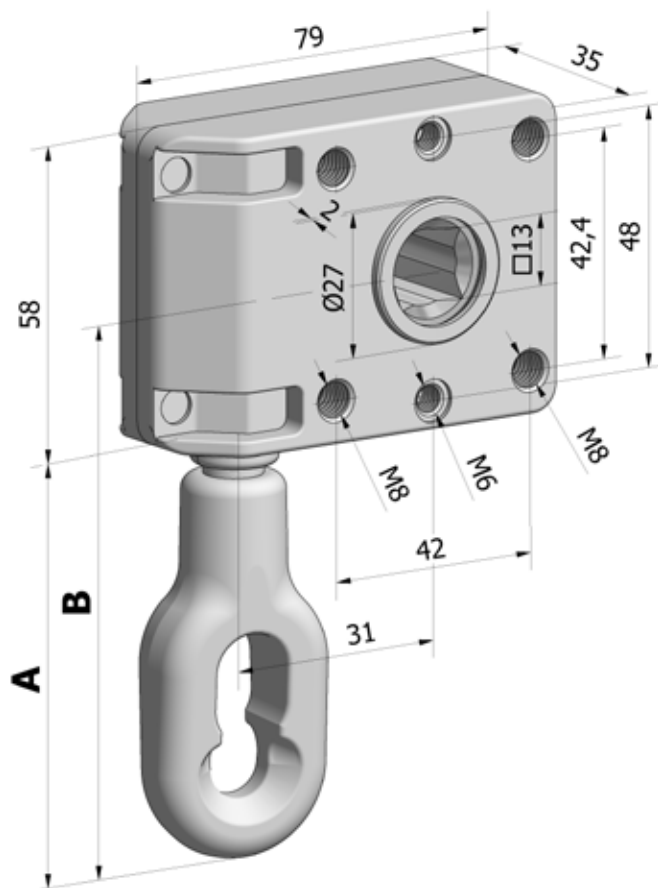
- Case in Zamak.
- Screw worm in Duraluminium.
- Crown in Zamak.
- Eyelet in Nylon.
- Without stop.

 Efficiency: **0,25**

 Max. Operating torque:  
 (Weight 10 Kg on Ø 70) **3 Nm**

A INPUT	B OUTPUT	C HOLES	REFERENCE
Eyelet	□ 13 mm	thr. going Ø 6,5	<b>9045.S07.CHXX</b>
Eyelet	□ 13 mm	M6	<b>9045.S07.CHXXA</b>
Eyelet	□ 7 mm	thr. going Ø 6,5	<b>9044.S07.CHXX</b>
Universal joint	□ 13 mm	thr. going Ø 6,5	<b>9045.C1X.CHXX</b>

XX = COLOR CODE

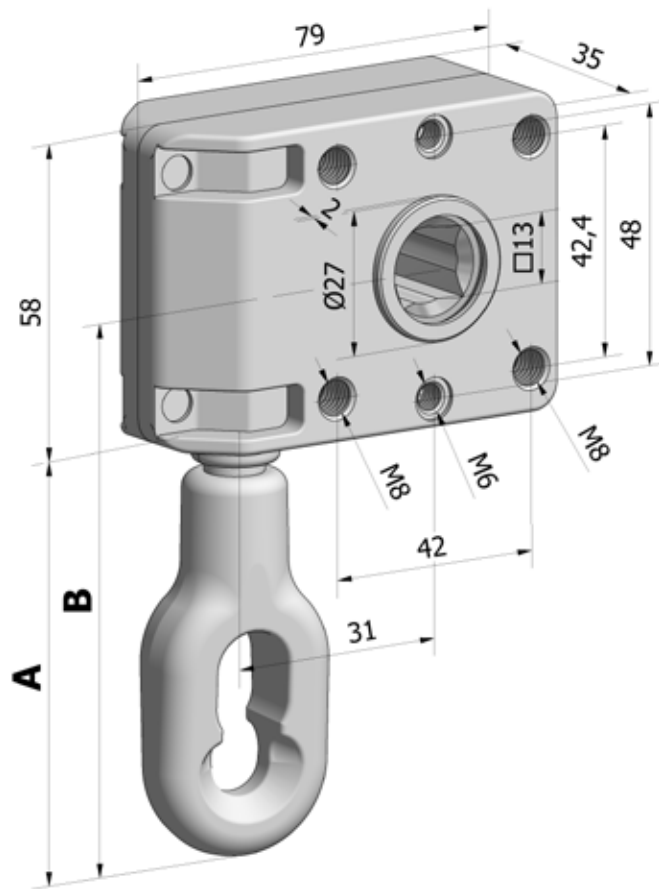


- Case in Zamak.
- Screw worm in Duraluminium.
- Crown in Zamak.
- Eyelet in Nylon.
- Floating on POM bearings.
- Without stop.

Efficiency: **0,30**

Max. Operating torque:  
 (20 Kg weight on Ø 70) **3,5 Nm**

CASING COLLAR	A	B	REFERENCE
NO	80	107	<b>9057.P08</b>
Ø 27	80	107	<b>9057.BP08</b>
NO	120	147	<b>9057.P12</b>
Ø 27	120	147	<b>9057.BP12</b>



- Case in Zamak.
- Screw worm in Duraluminium.
- Crown in Zamak.
- Eyelet in Nylon.
- Floating on POM bearings.
- Without stop.

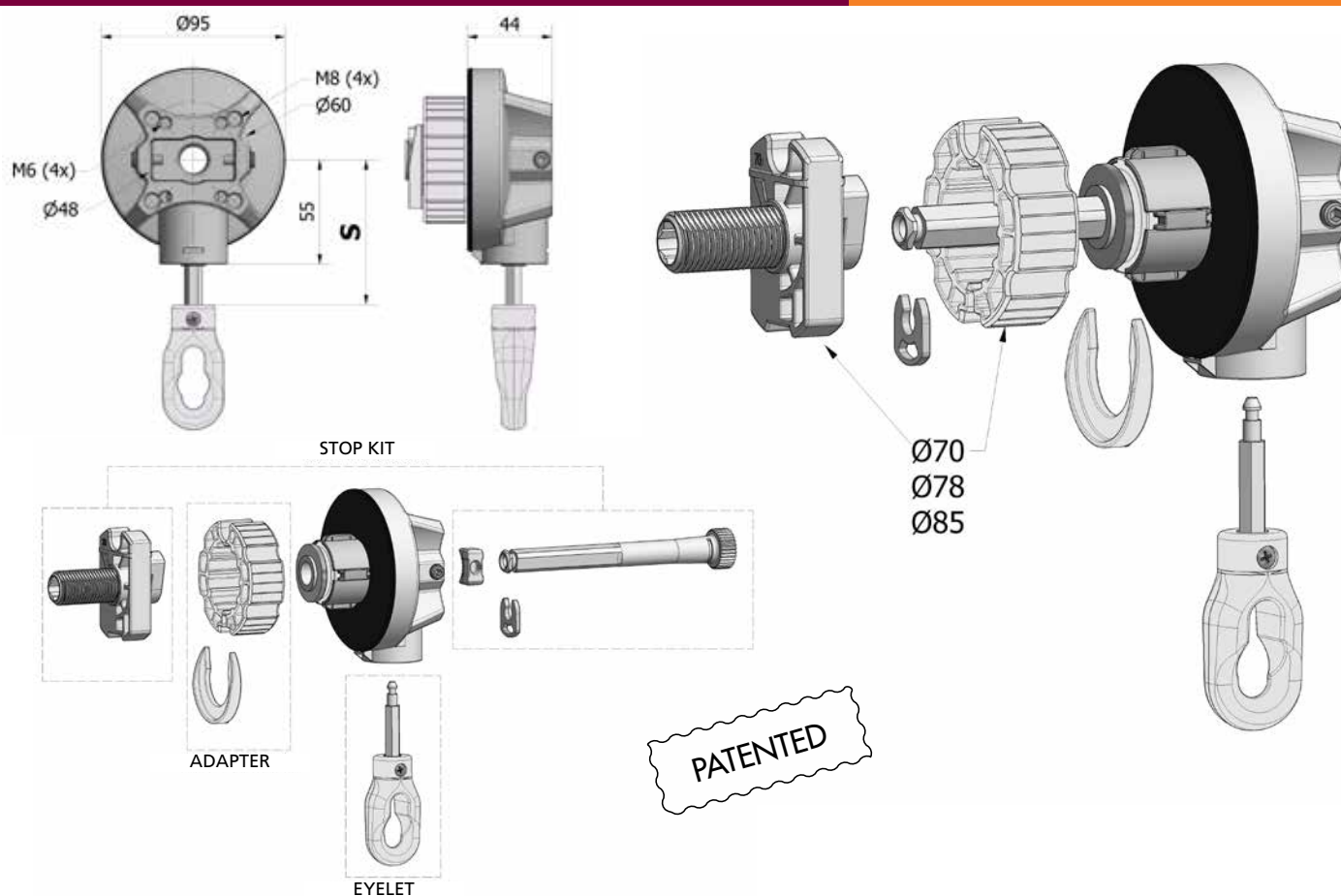
Efficiency: **0,30**

Max. Operating torque:  
 (Weight 30 Kg on Ø 70) **3,5 Nm**

CASING COLLAR	A	B	REFERENCE
NO	80	107	<b>9060.P08</b>
Ø 27	80	107	<b>9060.BP08</b>
NO	120	147	<b>9060.P12</b>
Ø 27	120	147	<b>9060.BP12</b>

**CHERUBINI**  
tocco italiano dal 1947

**BEVEL GEAR WITH CLUTCH**  
**RATIO 4,6:1**



- Limit switch adjustable from outside, max. 19 turns.
- Clutch on lower limit switch.
- Interchangeable adapter for 70, 78 and 85 mm rollers.
- Either left or right assembly.
- One single gear for short or extended eyelet.
- Perfect for small cassette awnings.
- May be used even without the limit switch.

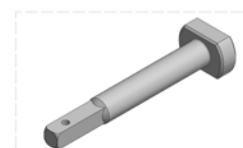
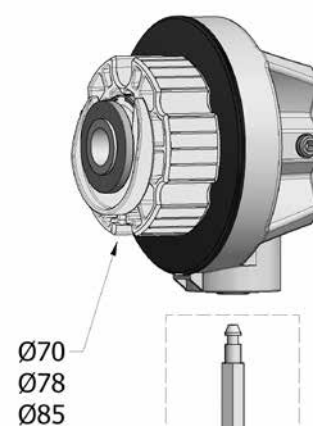
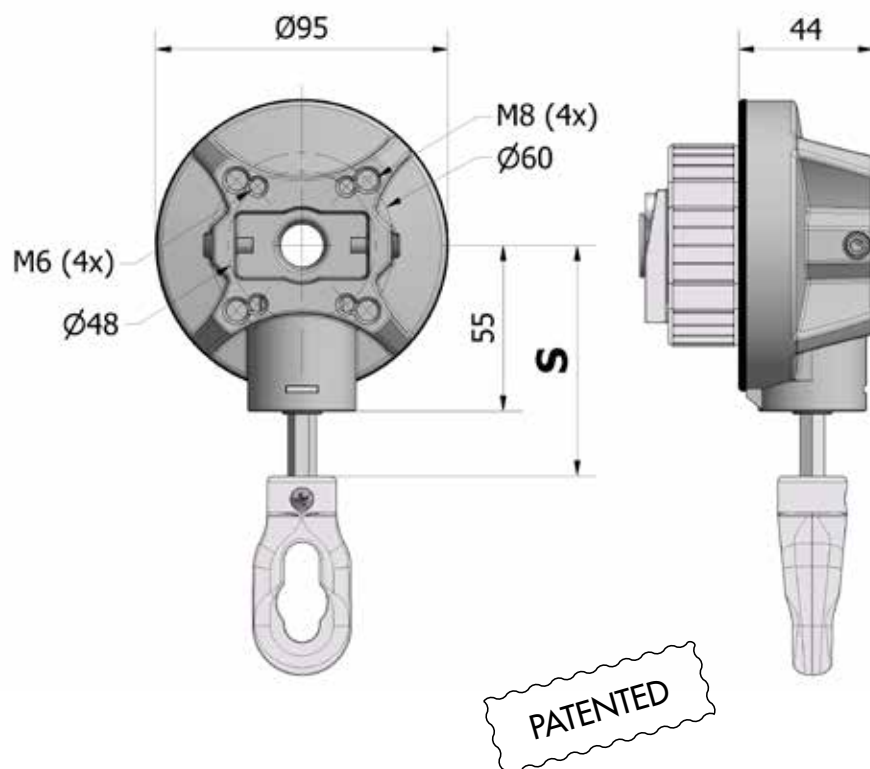
Efficiency: **0,60**

Output torque: **14 Nm**

**REFERENCE**

Gear 4.6:1 - with clutch - without adapter - without eyelet	<b>9080.A_XX</b>
Eyelet with zinc plated rod Hex. 8mm and screw INOX, S=55 mm	<b>9086.OC055.XX</b>
Eyelet with zinc plated rod Hex. 8mm and screw INOX, S=110 mm	<b>9086.OC110.XX</b>
Adapter Ø 70	<b>9085CL70</b>
Adapter Ø 78	<b>9085CL78</b>
Adapter Ø 85	<b>9085CL85</b>
Stop - Kit Ø 70	<b>9087FC70</b>
Stop - Kit Ø 78	<b>9087FC78</b>
Stop - Kit Ø 85	<b>9087FC85</b>

XX = COLOR CODE



- Case  $\varnothing 95$  in Zamak.
- Bevel gear in Zamak.
- Steel spring brake.
- Eyelet in Nylon (different lengths available).
- Adapter in POM  $\varnothing 70$ ,  $\varnothing 78$ ,  $\varnothing 85$  mm.

Efficiency: **0,60**

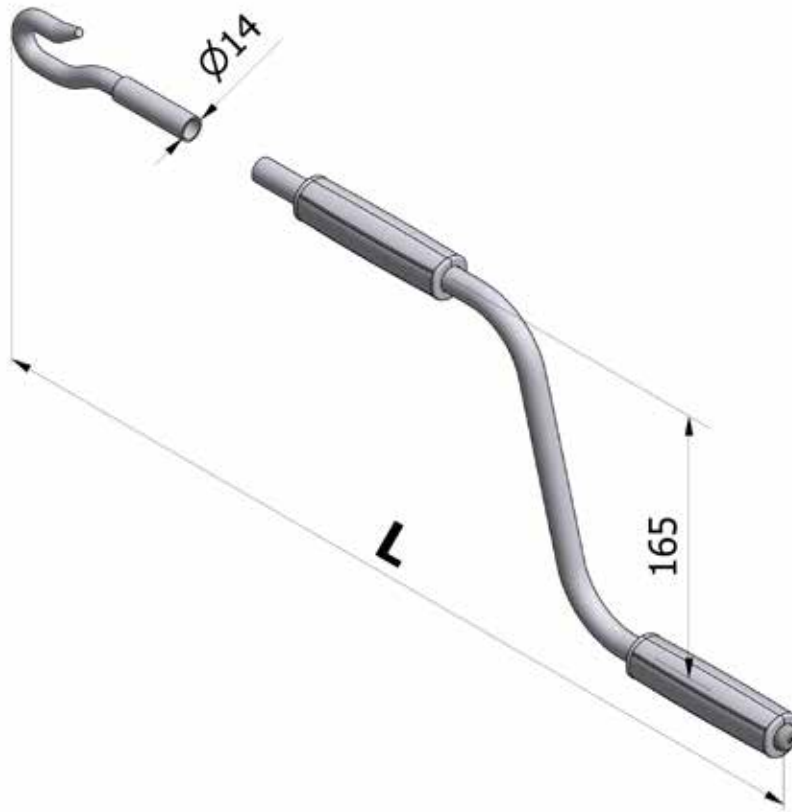
Output torque: **14 Nm**

### REFERENCE

Gear 4,6:1 with adapter $\varnothing 70$ – without eyelet	<b>9080.N_00070.XX</b>
Gear 4,6:1 with adapter $\varnothing 78$ – without eyelet	<b>9080.N_00078.XX</b>
Gear 4,6:1 with adapter $\varnothing 85$ – without eyelet	<b>9080.N_00085.XX</b>
Eyelet with zinc plated rod Hex. 8 mm and screw INOX, S=55 mm	<b>9086.OC055.XX</b>
Eyelet with zinc plated rod Hex. 8 mm and screw INOX, S=110 mm	<b>9086.OC110.XX</b>
Accessory to fasten the assist spring to the gear	<b>9088.PMC</b>

XX = COLOR CODE



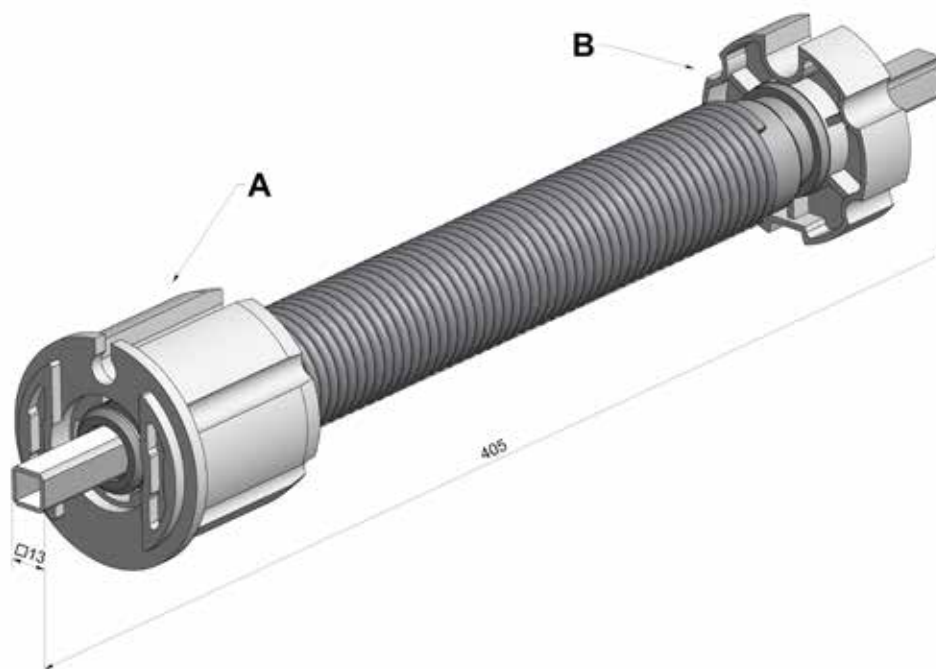


- Crank in powder coated steel tube  $\text{Ø } 14 \times 1,2$ .
- Handles in shock resistant ABS.
- Hook in zinc plated and powder coated steel.

Max. instant torque: **10 Nm**

Operating torque: **3,5 Nm**

LENGTH L	REFERENCE	LENGTH L	REFERENCE
1200	<b>9100.120 L</b>	2200	<b>9100.220 L</b>
1400	<b>9100.140 L</b>	2500	<b>9100.250 L</b>
1500	<b>9100.150 L</b>	3000	<b>9100.300 L</b>
1600	<b>9100.160 L</b>		
1800	<b>9100.180 L</b>		
2000	<b>9100.200 L</b>		



- Traction plug B and idle plug A in Nylon.
- Steel spring, wire cross section  $\varnothing$  4 mm x 50 coils.
- Adaptable for left or right traction.
- For tube with groove  $\varnothing$  60 mm,  $\varnothing$  70 mm and  $\varnothing$  78 mm.

**FOR TUBE  $\varnothing$** 
**REFERENCE**

60 mm	<b>9300.60.40.50</b>
70 mm	<b>9300.70.40.50</b>
78 mm	<b>9300.78.40.50</b>

**Ref. 9300**

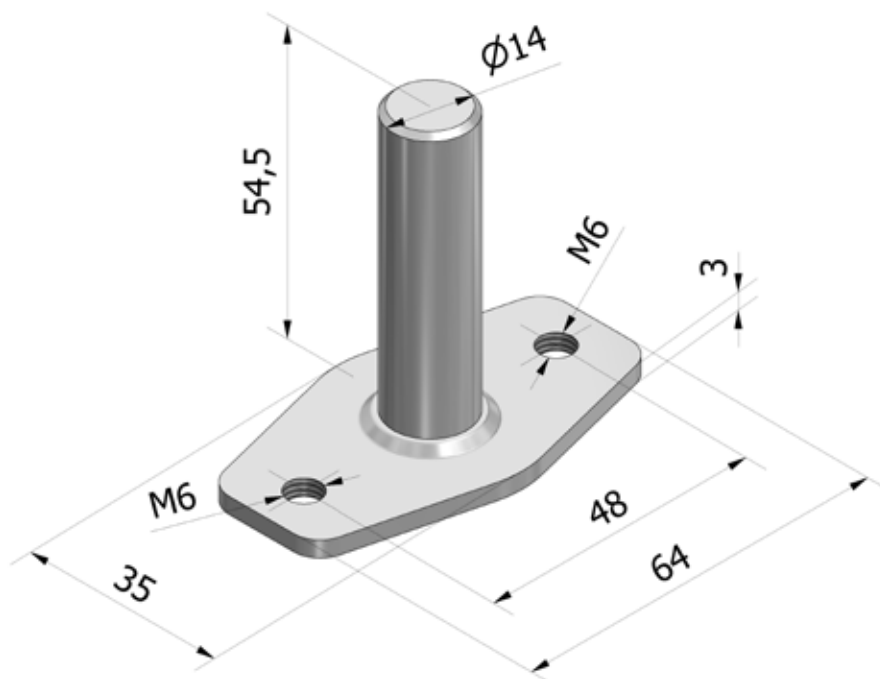
- Plug idle A and traction plug B, in Nylon.
- Steel spring, wire cross section  $\varnothing$  4 mm x 200 coils.
- Adaptable for left or right traction.
- Maximal turns 21, for tube  $\varnothing$  70 mm or  $\varnothing$  78 mm with groove.
- Pre-loading ca. 3 turns.

**Ref. 9302**

- Traction and idle plug in Nylon.
- Steel spring, wire cross section  $\varnothing$  4 mm x 200 coils.
- Adaptable for left or right traction.
- Maximal turns 21, for tube  $\varnothing$  70 mm,  $\varnothing$  78 mm or  $\varnothing$  85 mm with groove.
- Pre-loading ca. 3 turns.

FOR TUBE $\varnothing$	TURNS	REFERENCE
70 mm	max. 21	<b>9300.70.40.200</b>
78 mm	max. 21	<b>9300.78.40.200</b>
70 mm	max. 21	<b>9302.70.40.200</b>
78 mm	max. 21	<b>9302.78.40.200</b>
85 mm	max. 21	<b>9302.85.40.200</b>

(Enclose pre-loading)



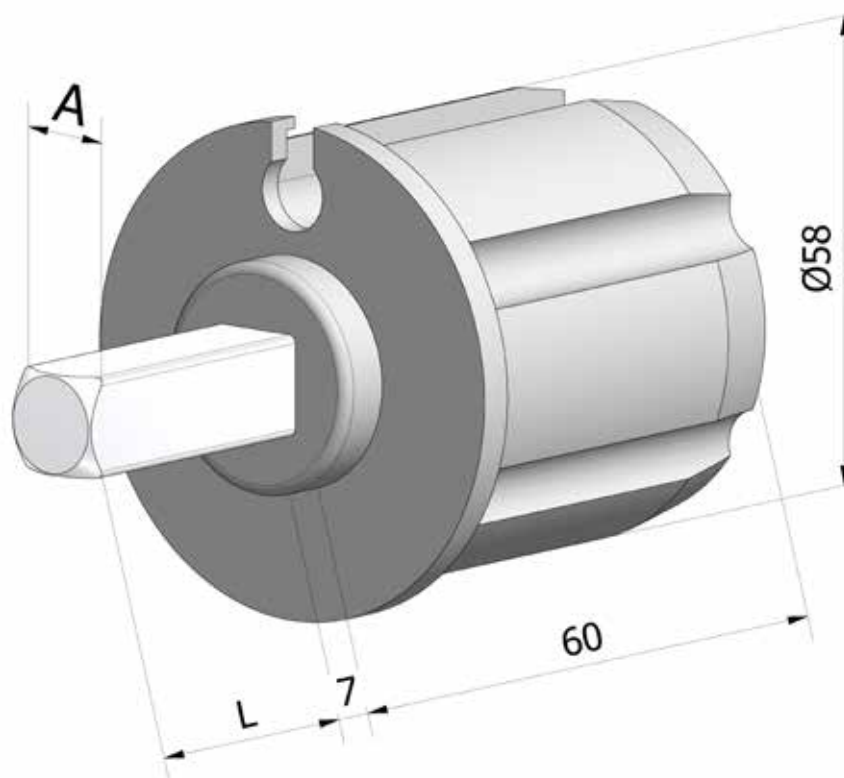
- Execution in zinc plated steel or stainless steel.

**MATERIAL**

Zinc plated steel

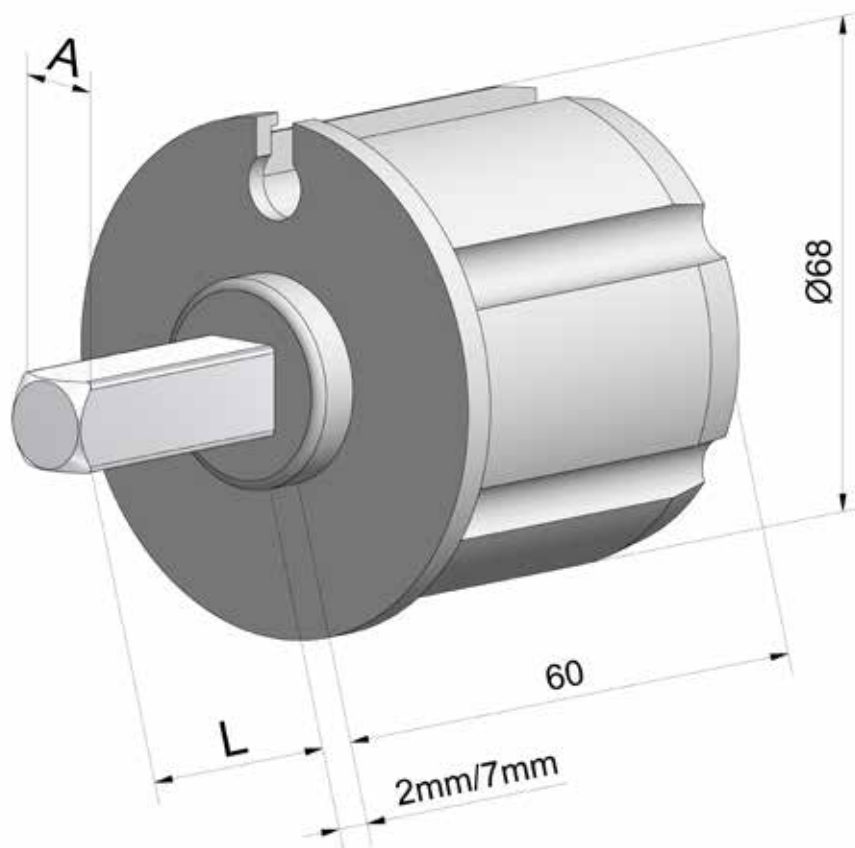
Stainless steel

**REFERENCE****9506.45F****9506.45X**



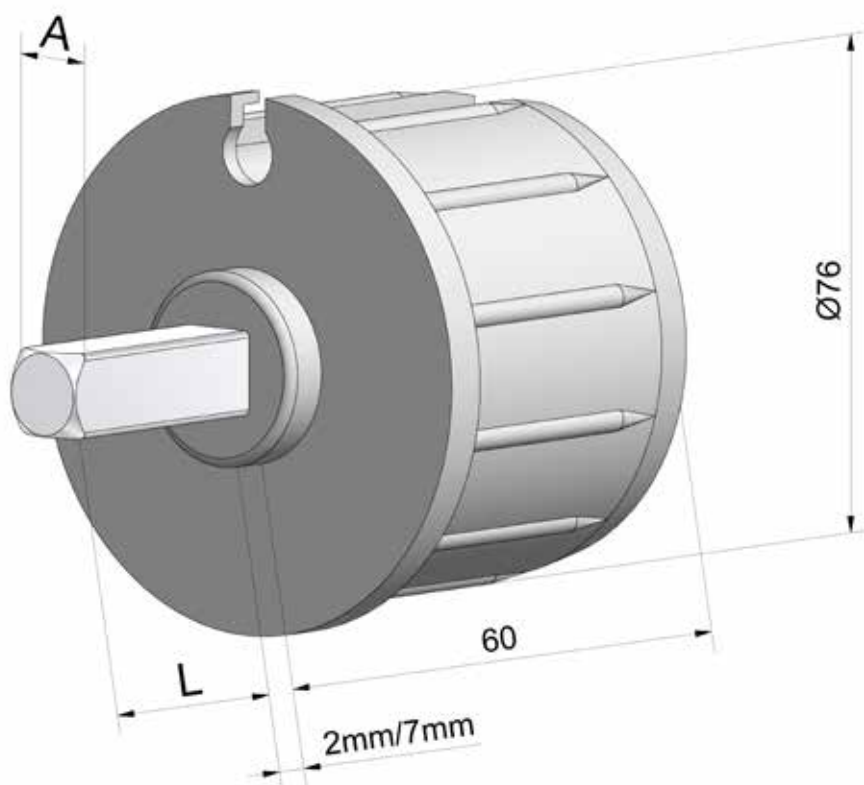
- Structure in polyamide.
- Axle in zinc plated steel.
- Adaptable to tube with groove Ø 60 mm.

DRIVE A	LENGTH L	REFERENCE
□ 13	40	<b>9760.40</b>
Ø 12	20	<b>9761.20</b>
drilling Ø 14	traversable	<b>9762.14</b>



- Structure in polyamide.
- Axle in zinc plated steel.
- Adaptable to tube with groove Ø 70 mm.

<b>DRIVE A</b>	<b>LENGTH L</b>	<b>REFERENCE</b> Collar 7 mm	<b>LENGTH L</b>	<b>REFERENCE</b> Collar 2 mm
□ 13	40	<b>9770.40</b>	45	<b>9870.45</b>
Ø 12	20	<b>9771.20</b>	15	<b>9871.15</b>
drilling Ø 12	traversable	<b>9772.12</b>		
drilling Ø 14	traversable	<b>9772.14</b>		
Ø 14	20	<b>9776.20</b>		



- Structure in polyamide.
- Axle in zinc plated steel.
- Adaptable to tube with groove Ø 78 mm.

<b>DRIVE A</b>	<b>LENGTH L</b>	<b>REFERENCE</b> Collar 7 mm	<b>LENGTH L</b>	<b>REFERENCE</b> Collar 2 mm
□ 13	40	<b>9778.40</b>	45	<b>9878.45</b>
Ø 12	20	<b>9779.20</b>	15	<b>9879.15</b>
drilling Ø 12	traversable	<b>9780.12</b>	25	<b>9879.25</b>
drilling Ø 14	traversable	<b>9780.14</b>		
Ø 14	20	<b>9784.20</b>		